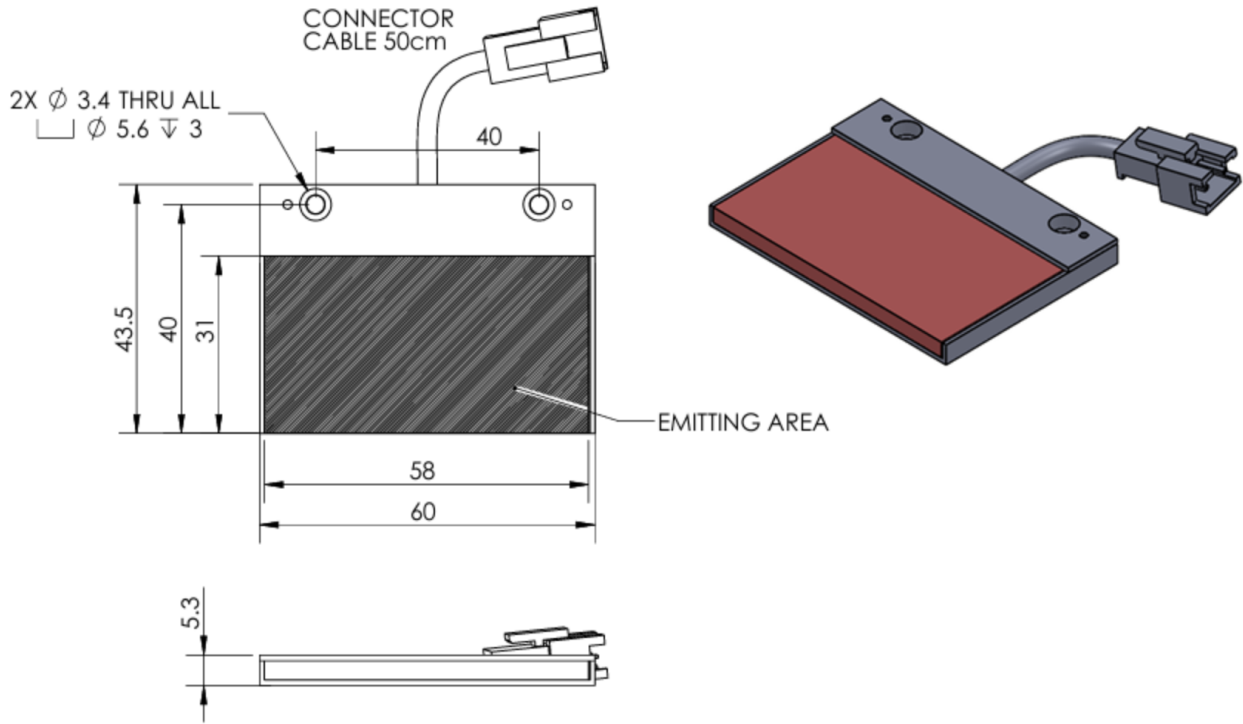


ILLUMINATOR DATA

LTPVRG31X58-00-1-B-24V

Lighting Dimension

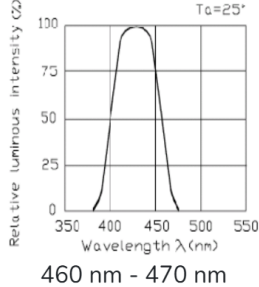


Mechanical Information

Casing Material	Aluminium
Storage Temperature Range	0 - 45°C
Storage Humidity Range	20 - 85%
Weight	38g
Width / Inner Diameter	43.5mm
Length / Outer Diameter	60mm
Height / Thickness	5.3mm

ILLUMINATOR DATA

LTPVRG31X58-00-1-B-24V

Lighting Information			
LED Color	BLUE		
Wavelength	 <p>460 nm - 470 nm</p>		
Working Distance	5mm	10mm	15mm
Intensity ($\pm 15\%$)	5360lx	5120lx	3980lx
Illumination (Number of Row)	1		
Illumination Active Area	Active Outer Diameter	58	
	Active Inner Diameter	31	
Emission Angle	0°		
Eye Safety Class (IEC62471)	EXEMPT Products with sources, which do not pose any potential photobiological hazard even for the continuous and unrestricted exposure. Example: 8 hours of exposure poses no acute hazard to either eye or skin, and 10,000 seconds (2.8 hours) of the intent starting causes no blue light retinal hazard.		
Chromaticity Table For White Colour Only			

Electrical Information	
Rated Voltage	24V _(Min) - 24V _(Max)
Rated Current	30mA
Power Consumption	0.720W
Casing Temperature, After 60 minutes operation	60°C


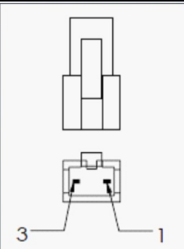
Strobe Mode Specification		
*Normal Strobe Voltage	24V	
*Normal Strobe Current	30mA	
Overdrive Voltage Range	Min: 36V	Max: 48V
Overdrive Current Range	Min: 139mA	Max: 248mA
Recommended Overdrive Voltage	36V	
**Max. Trigger Pulse Duration	10%	
**Max. Duty Cycle	10msec	

*Normal strobe means the lighting is operated using the rated power. Overdrive means the power supplied to the lighting exceeded the rated power.

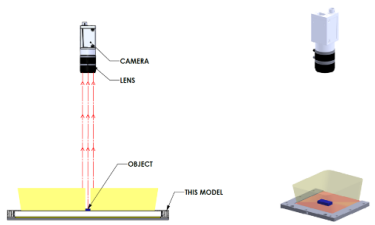
**Overdrive condition must not exceed the max. trigger pulse duration and max. duty cycle.

ILLUMINATOR DATA

LTPVRG31X58-00-1-B-24V

Connection Information									
Connector Type	JST SMR-03V-B								
Cable Length	500mm								
Pin Configuration 	Pin	Signal	Cable Color						
	1	24V	RED						
	2	-	-						
	3	GND	WHITE / BLACK						
			<table border="1"> <tr> <td>PIN 1</td> <td>24V</td> </tr> <tr> <td>PIN 2</td> <td>-</td> </tr> <tr> <td>PIN 3</td> <td>GND</td> </tr> </table>		PIN 1	24V	PIN 2	-	PIN 3
PIN 1	24V								
PIN 2	-								
PIN 3	GND								

Additional Information	
Additional Cooling Method	Attached to machine part for better heat dissipation
Intensity Controller Selection	LTIC series
CE Conformity	YES
RoHS Compliance	YES

Application	
Illumination Type	Side Illumination Back Light
Application Use	<ul style="list-style-type: none"> • Lead Frame Inspection • Shape Recognition • Size Measurement 

ILLUMINATOR DATA

LTPVRG31X58-00-1-B-24V

Lighting Pattern				
Working Distance	For further details, please contact us			
Display and Image	For further details, please contact us			
Data Results	Horizontal	Meas. (mm)	Vertical	Meas. (mm)
	90%	N.A.	90%	N.A.
	90%	N.A.	90%	N.A.
	80%	N.A.	80%	N.A.
	70%	N.A.	70%	N.A.
	60%	N.A.	60%	N.A.
	50%	N.A.	50%	N.A.
	40%	N.A.	40%	N.A.
	30%	N.A.	30%	N.A.
	20%	N.A.	20%	N.A.
10%	N.A.	10%	N.A.	